

MegaCAD Lt



THE PRECISION DRAWING TOOL FOR DRAFTS AND DETAILED DRAWING

MegaCAD Lt is the CAD software for new and occasional users. Use it to produce precise, technical illustrations, basic sketches, product specifications, presentations, diagrams, plans or infographics quickly and easily.

MegaCAD Lt guarantees easy entry into professional drawing at an **excellent price-performance ratio**. You will learn how to use the software in almost no time at all - and there's no need for lengthy, time-consuming training sessions.

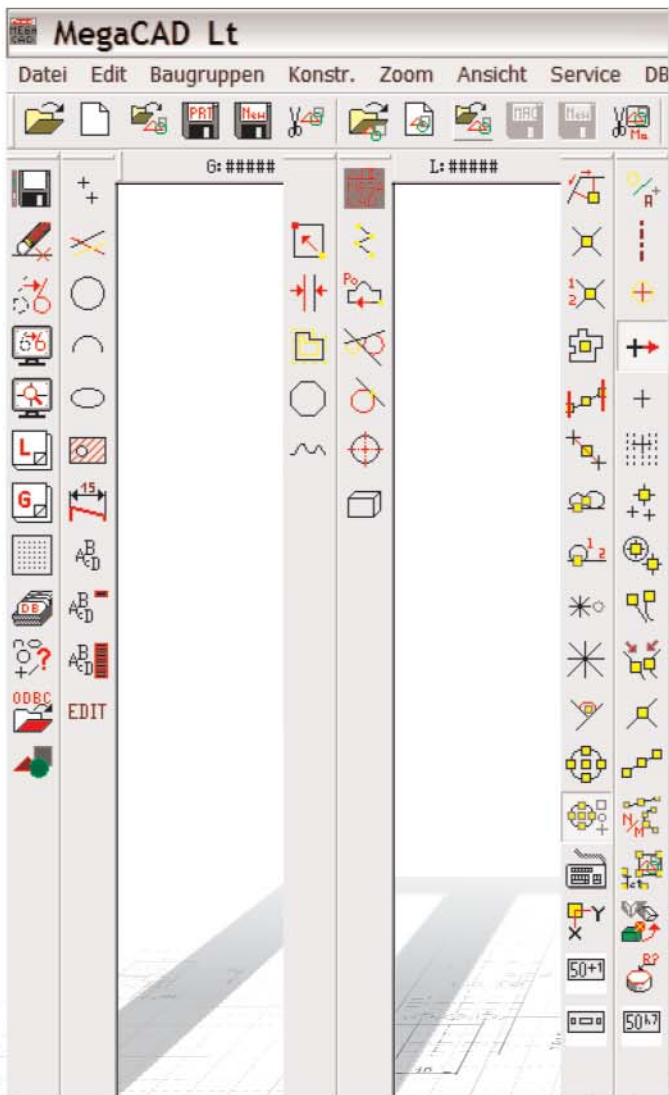
You will **learn quickly** using the integrated Help system which presents the most important information for each function clearly and in detail. You can access the Help system at any time with the F1 key.

The tool palette is well laid out and contains all the functions you need to create and modify drawings.

Once they are finished, you can **transfer your drawings** to any text processing program, such as Microsoft Word, to illustrate an offer or assembly instructions.

MAKE IT EASY

- MegaCAD Lt is ideal for users who are looking for a low-cost solution, or who only need a drawing tool occasionally.
- Should your requirements become more complex, you can move to the 2D or 3D professional version at any time.
- The user interface is self-explanatory and looks familiar, allowing intuitive drawing right from the start. You can display an explanation of each menu item without leaving the screen.



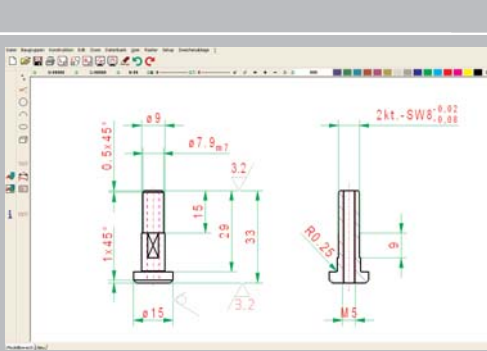
■ Easy to use

■ Practice-oriented

■ Fast changes

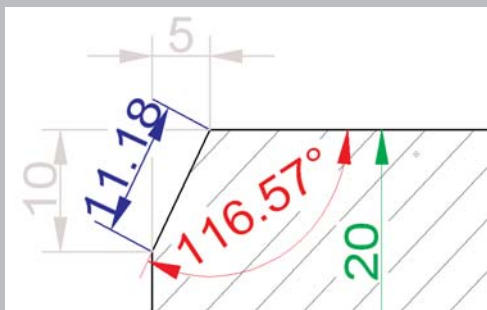
■ Design flexibility

FUNCTION OVERVIEW



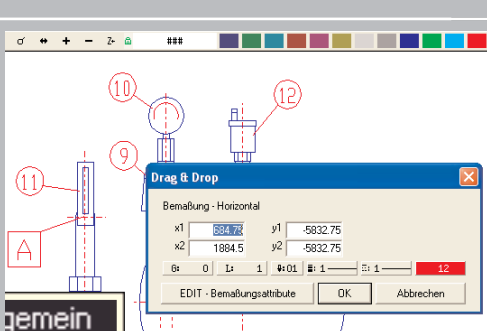
Like drawing on a board

- Design and add details to technical drawings, from single parts to assembly drawings.
- Fast navigation within the drawing with the mouse wheel.
- A wide range of drawing aids such as an on-screen display of relevant drawing options.
- Precision drawing with lines, circles, arcs, ellipses, text functions, change functions.



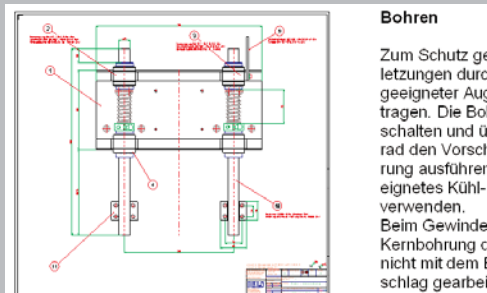
Precision dimensioning made easy

- The dimensioning wizard proposes the most likely type of dimensioning.
- Automatic switching between horizontal, vertical, parallel, angle and distance dimensions.
- Automatic chain and reference dimensioning.
- On-screen manual entry for individual dimensions.



Easy to make changes

- Move and resize elements with Drag & Drop.
- Make changes with one mouse click with the command cursor.
- Modification of attributes on screen.
- Duplicate, rotate, move, copy, mirror, resize
- Edit dimensioning and text labels on the drawing.



Technical documentation / DTP

- Enhance offers.
- Illustrate manuals and operating instructions.
- Outline mode for engraving and cutter plotters.
- Read and store raster data for processing old paper diagrams.
- Freely scalable TrueType fonts.



Accessible to other systems

- Read and write from DWG and DXF files.
- Printout management: outputs file lists on different printers.

Free-form user interface

A clearly laid out, customisable user interface. The system creates a profile for each user.

Flexible layer and group management

65536 work layers and 65536 groups, which can be grouped and collected together as required.

Associative hatching

Automatic surface detection simplifies assignment of associative hatching.

Modules

Individual drawing elements can be grouped into modules, which can be nested as required.

Copying attributes

Grabs attributes from existing elements directly from the screen and assigns them to new drawing elements.

Move & Turn

Move and simultaneously turn all objects "hanging" on the mouse.

Selection

Select parts of the drawing using any attribute and by drawing squares or any polygon with the mouse. The selection can be linked with an element filter.

Intelligent dimensioning

All elements can be dimensioned with just one click of the mouse.

Print and Plot Manager

Flexible print and plot manager, which assigns print jobs with individual settings to different printers and plotters.

Data interchange

DXF, DWG, HPGL, WMF, CDL.



Megatech Software GmbH
Kantstraße 152
D - 10623 Berlin
tel: +49 -30 -3159580
www.megacad.com